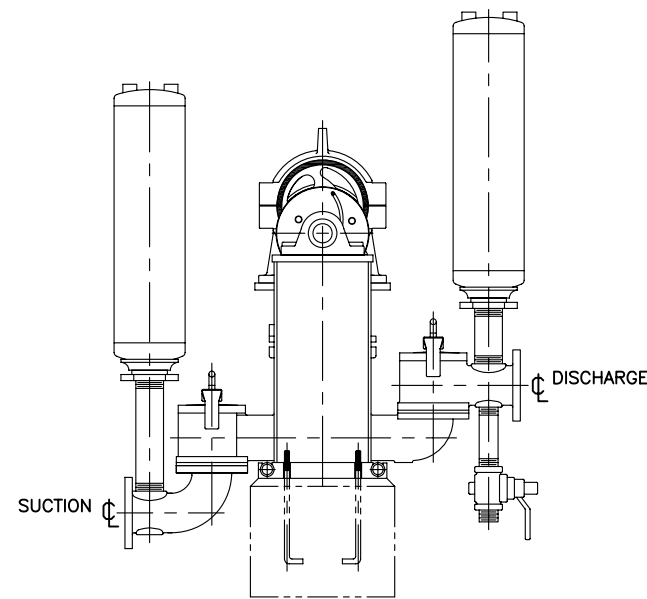


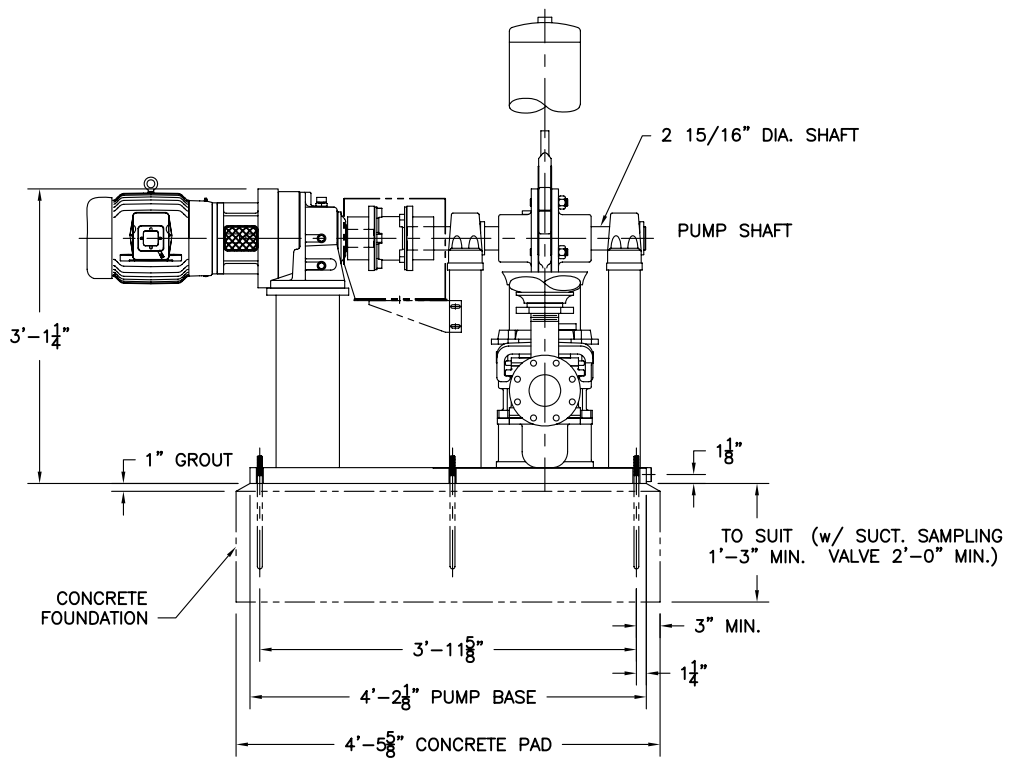
PLAN



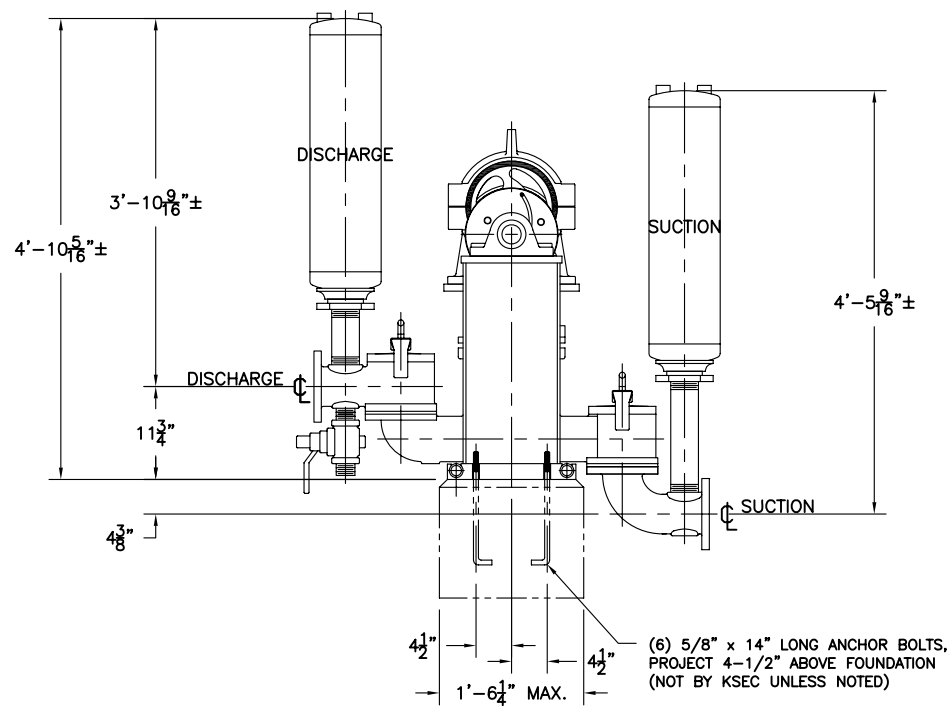
FRONT ELEVATION
LEFT HAND PUMP

NOTES:

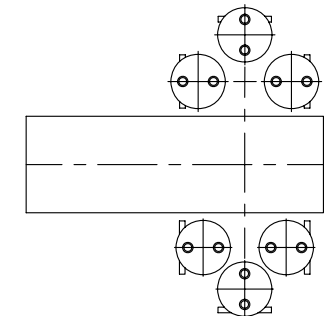
- 1 - BASIC PUMP SHOWN - SEE CERTIFIED SPECIFICATIONS FOR DESCRIPTION OF COMPONENTS, MATERIALS OF CONSTRUCTION AND OPTIONAL ACCESSORIES FURNISHED BUT NOT SHOWN.
- 2 - SUPPORTS FOR SUCTION AND DISCHARGE PIPING NOT BY KSEC. DO NOT HANG PIPING FROM PUMP.
- 3 - SUCTION AND DISCHARGE CONNECTIONS: 4" - 125 LB. STD. A.S.A. DRILLING.
- 4 - CONCRETE FOUNDATION NOT BY KSEC.
- 5 - ANCHOR BOLTS NOT BY KSEC UNLESS NOTED ON SPECIFICATION SHEET.



SIDE ELEVATION



FRONT ELEVATION
RIGHT HAND PUMP



ALTERNATE BALL VALVE & CONNECTION ARRANGEMENTS. VALVE CHAMBERS SHIPPED LOOSE FOR FIELD ASSEMBLY.

REV	DATE	BY	CHKD	DATE	APPR	THIS DRAWING IS THE PROPRIETARY PROPERTY OF KOMLINE-SANDERSON ENGINEERING CORPORATION. IT IS LOANED IN CONFIDENCE AND MUST BE RETURNED ON DEMAND. ANY USE DETRIMENTAL TO THE INTERESTS OF KOMLINE-SANDERSON ENGINEERING CORPORATION IS PROHIBITED. IT MUST NOT BE LOANED, COPIED OR REPRODUCED WITHOUT PERMISSION.	
<p>PLUNGER PUMP ASSEMBLY KSS-9 or 11-1, SINGLE VALVE CONSTANT SPEED, 7.5 HP</p>							
DESIGNED BY	JWD	DRAWN BY	JWD	CHECKED BY	-	APPROVED BY	-
DATE	02-OCT-08	KOMLINE-SANDERSON ENGINEERING CORPORATION		REFERENCE:	DRAWING NO.	REV	SHT
SCALE	1=12	PEAPACK, NJ 07977 USA				1	1