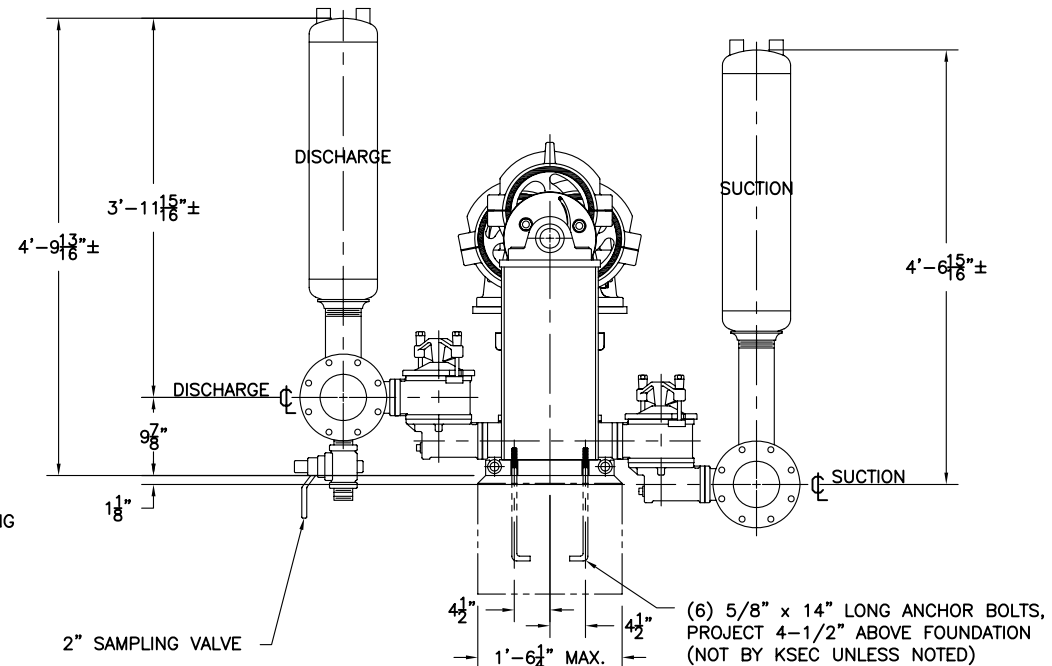
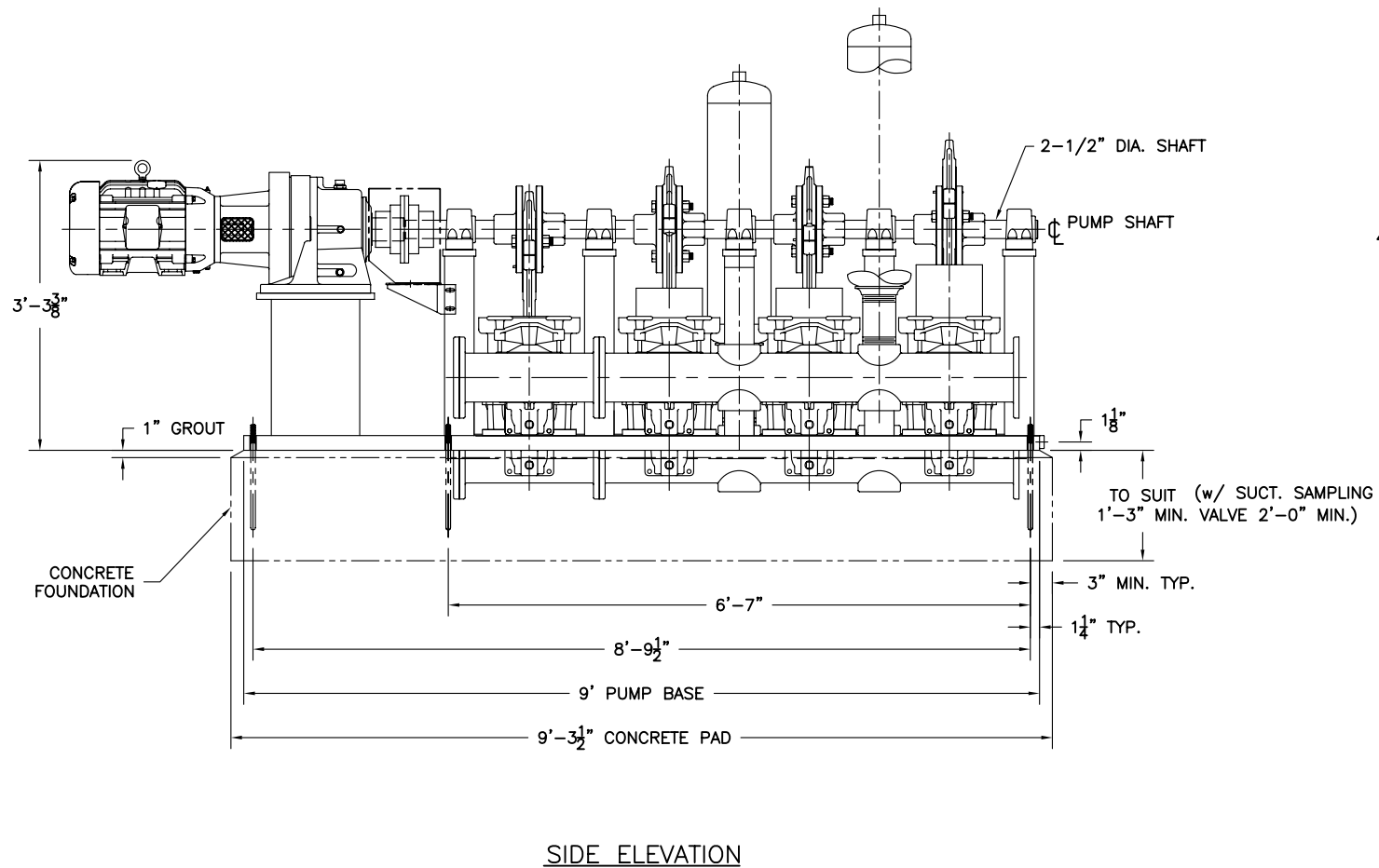


**NOTES:**

- 1 - BASIC PUMP SHOWN - SEE CERTIFIED SPECIFICATIONS FOR DESCRIPTION OF COMPONENTS, MATERIALS OF CONSTRUCTION AND OPTIONAL ACCESSORIES FURNISHED BUT NOT SHOWN.
- 2 - SUPPORTS FOR SUCTION AND DISCHARGE PIPING NOT BY KSEC. DO NOT HANG PIPING FROM PUMP.
- 3 - SUCTION AND DISCHARGE CONNECTIONS: 6" - 125 LB. STD. A.S.A. DRILLING.
- 4 - CONCRETE FOUNDATION NOT BY KSEC.
- 5 - ANCHOR BOLTS NOT BY KSEC UNLESS NOTED ON SPECIFICATION SHEET.



REV	DATE	BY	APP	DESCRIPTION
TITLE				
PLUNGER PUMP ASSEMBLY				
KS-9 or 11-4, SINGLE VALVE				
CONSTANT SPEED, 15 HP				
DESIGNED BY	DRAWN BY	CHECKED BY	APPROVED BY	
JWD	JWD	JWD		
DATE	KOMLINE-SANDERSON			REFERENCE:
07-JAN-09	ENGINEERING CORPORATION			DRAWING NO.
SCALE	PEAPACK, NJ 07977 USA			REV
1=12				1
				SHT
				1
				OF
				1