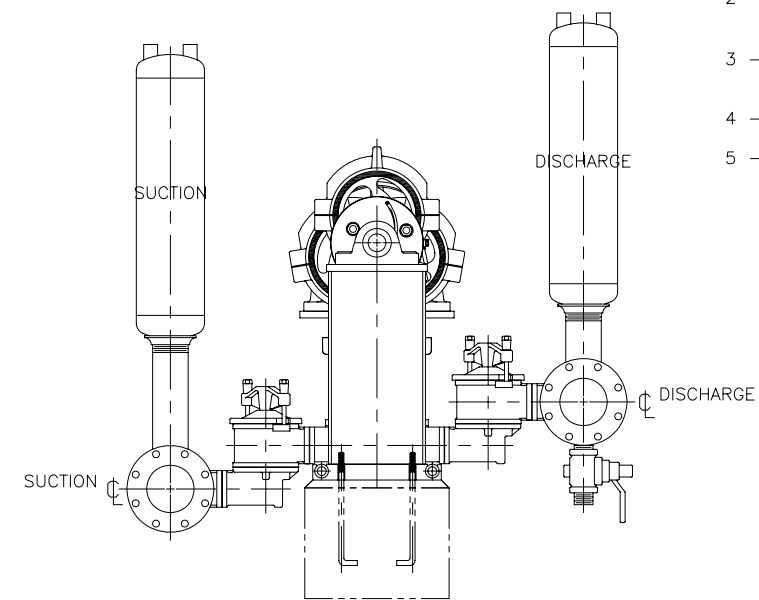
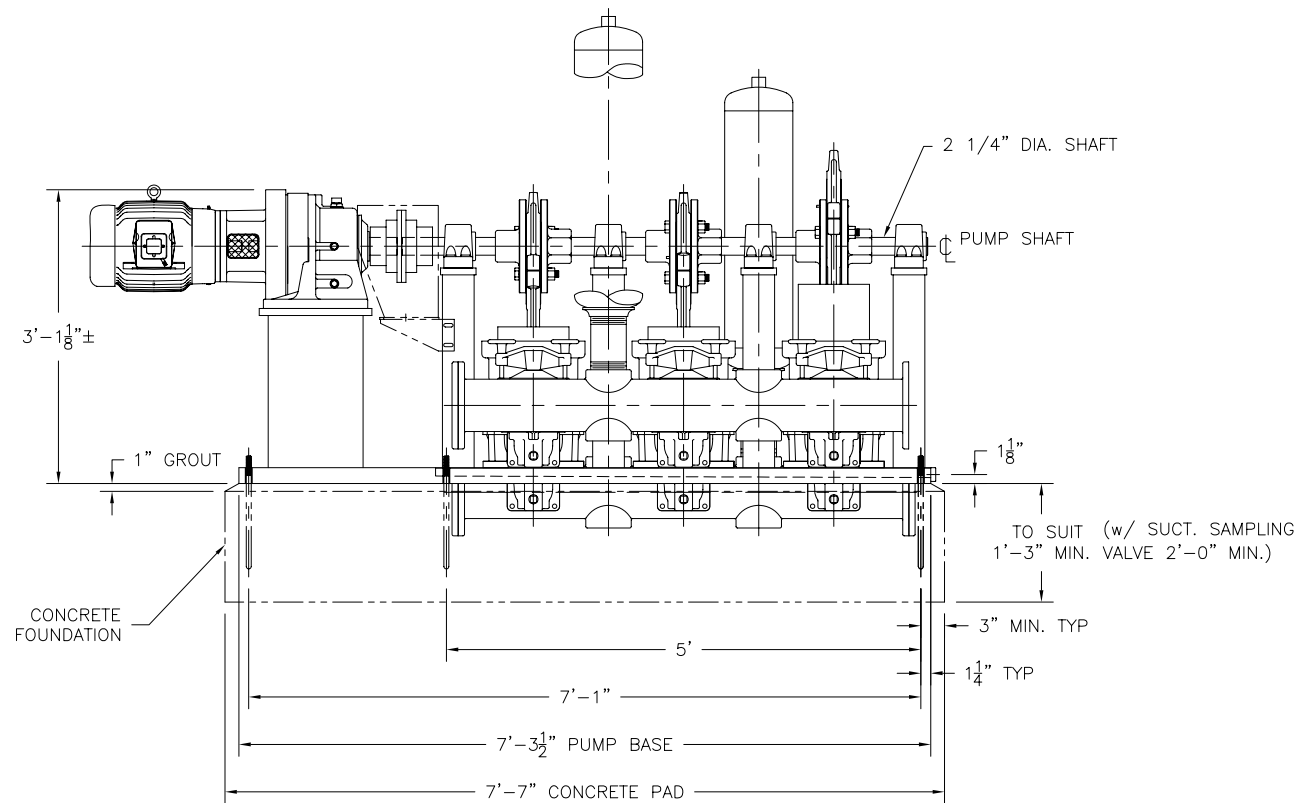


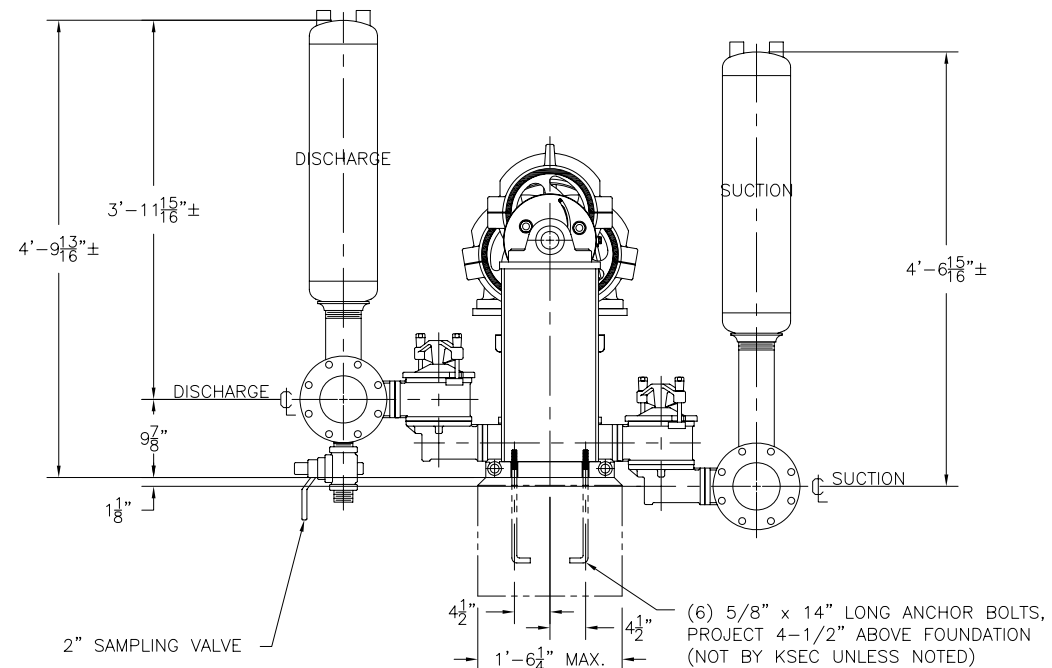
PLAN



FRONT ELEVATION
LEFT HAND PUMP



SIDE ELEVATION



FRONT ELEVATION
RIGHT HAND PUMP

NOTES:

- 1 - BASIC PUMP SHOWN - SEE CERTIFIED SPECIFICATIONS FOR DESCRIPTION OF COMPONENTS, MATERIALS OF CONSTRUCTION AND OPTIONAL ACCESSORIES FURNISHED BUT NOT SHOWN.
- 2 - SUPPORTS FOR SUCTION AND DISCHARGE PIPING NOT BY KSEC. DO NOT HANG PIPING FROM PUMP.
- 3 - SUCTION AND DISCHARGE CONNECTIONS: 6" - 125 LB. STD. A.S.A. DRILLING.
- 4 - CONCRETE FOUNDATION NOT BY KSEC.
- 5 - ANCHOR BOLTS NOT BY KSEC UNLESS NOTED ON SPECIFICATION SHEET.

| | | | | | |
|---|--|------------|-------------|-------------------------|--|
| REV | DRWN | CHKD | DATE | APPR | THIS DRAWING IS THE PROPRIETARY PROPERTY OF KOMLINE-SANDERSON ENGINEERING CORPORATION. IT IS LOANED IN CONFIDENCE AND MUST BE RETURNED ON DEMAND. ANY USE DETRIMENTAL TO THE INTERESTS OF KOMLINE-SANDERSON ENGINEERING CORPORATION IS PROHIBITED. IT MUST NOT BE LOANED, COPIED OR REPRODUCED WITHOUT PERMISSION. |
| TITLE | | | | | |
| PLUNGER PUMP ASSEMBLY KS-9 or 11-3 SINGLE VALVE CONSTANT SPEED, 10 HP | | | | | |
| DESIGNED BY | DRAWN BY | CHECKED BY | APPROVED BY | REFERENCE: CSP33-10002D | |
| JWD | JWD | - | - | DRAWING NO. | SHT |
| DATE | KOMLINE-SANDERSON ENGINEERING CORPORATION | | | REV | 1 |
| 09-DEC-08 | PEAPACK, NJ 07977 USA | | | OF | 1 |
| SCALE | 1=12 | | | | 1 |