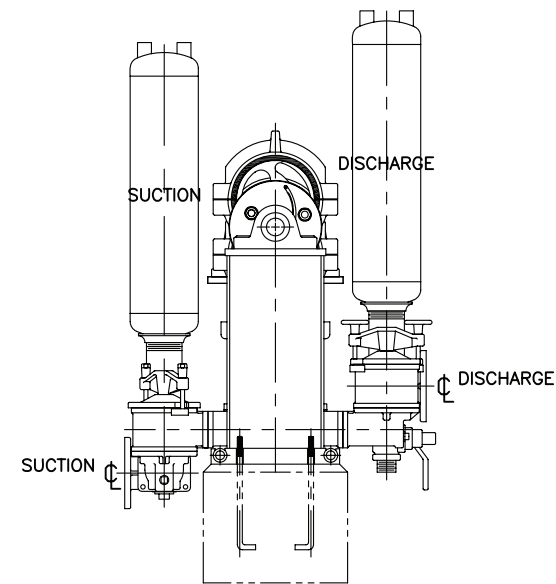
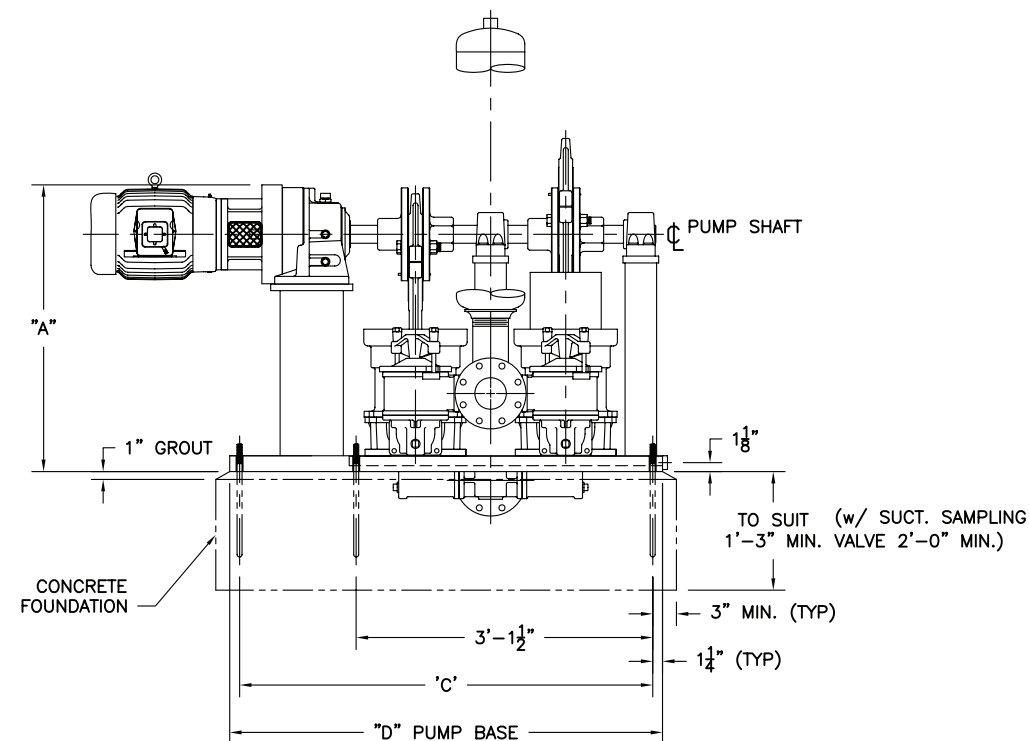


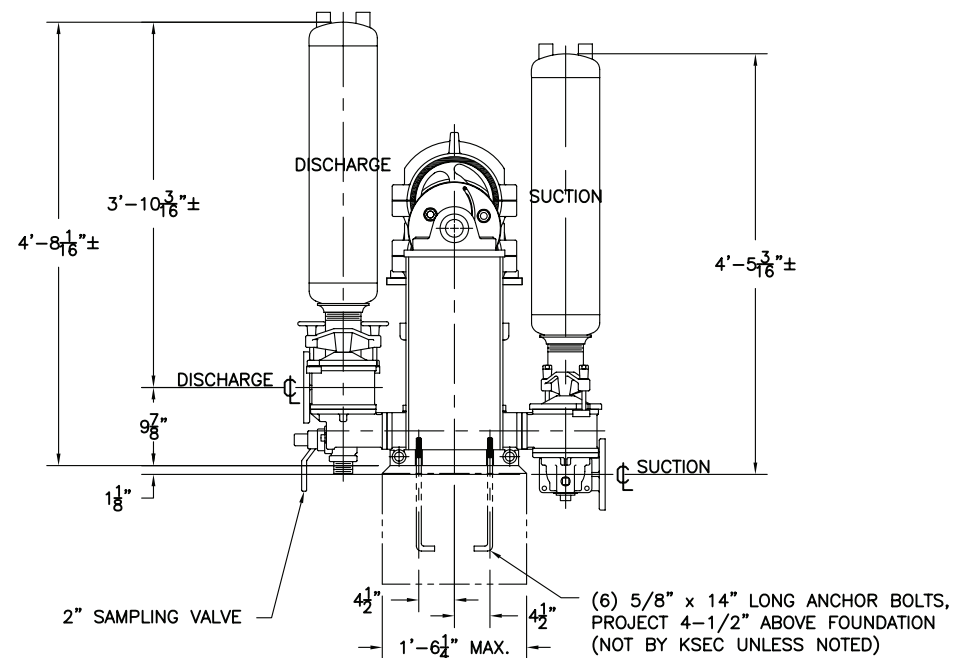
PLAN



FRONT ELEVATION
LEFT HAND PUMP



SIDE ELEVATION



FRONT ELEVATION
RIGHT HAND PUMP

NOTES:

- 1 - BASIC PUMP SHOWN - SEE CERTIFIED SPECIFICATIONS FOR DESCRIPTION OF COMPONENTS, MATERIALS OF CONSTRUCTION AND OPTIONAL ACCESSORIES FURNISHED BUT NOT SHOWN.
- 2 - SUPPORTS FOR SUCTION AND DISCHARGE PIPING NOT BY KSEC. DO NOT HANG PIPING FROM PUMP.
- 3 - SUCTION AND DISCHARGE CONNECTIONS: 4" - 125 LB. STD. A.S.A. DRILLING.
- 4 - CONCRETE FOUNDATION NOT BY KSEC.
- 5 - ANCHOR BOLTS NOT BY KSEC UNLESS NOTED ON SPECIFICATION SHEET.
- 6 - NOT FOR CONSTRUCTION PURPOSES UNLESS CERTIFIED BY KSEC.

DIMENSIONS						
HP	TYPE	FRAME	A	B*	C	D
3	TEFC	182TC	3' 0-1/4"	5' 8-15/16"	4' 4-1/4"	4' 6-3/4"
5		184TC	3' 0-1/4"	5' 8-15/16"	4' 4-1/4"	4' 6-3/4"
7-1/2		213TC	3' 0-1/4"	6' 0-5/16"	4' 4-1/4"	4' 6-3/4"
10		215TC	3' 1-1/16"	6' 2-13/16"	4' 4-1/4"	4' 6-3/4"
15		254TC	3' 1-3/4"	6' 8-5/8"	4' 6-1/2"	4' 9"

* EXACT DIMENSIONS ARE DEPENDENT UPON MAKE AND MODEL OF MOTOR TO BE SUPPLIED.

<small>THIS DRAWING IS THE PROPRIETARY PROPERTY OF KOMLINE-SANDERSON ENGINEERING CORPORATION. IT IS LOANED IN CONFIDENCE AND MUST BE RETURNED ON DEMAND. ANY USE DETRIMENTAL TO THE INTERESTS OF KOMLINE-SANDERSON ENGINEERING CORPORATION IS PROHIBITED. IT MUST NOT BE LOANED, COPIED OR REPRODUCED WITHOUT PERMISSION.</small>						
PLUNGER PUMP ASSEMBLY KS-9 or 11-2, SINGLE VALVE CONSTANT SPEED						
DESIGNED BY JWD	DRAWN BY JWD	CHECKED BY JWD	APPROVED BY JWD			
DATE 12-FEB-09	KOMLINE-SANDERSON ENGINEERING CORPORATION			REFERENCE:	SHT	
SCALE 1=12	PEAPACK, NJ 07977 USA			DRAWING NO.	REV	1
					OF	1