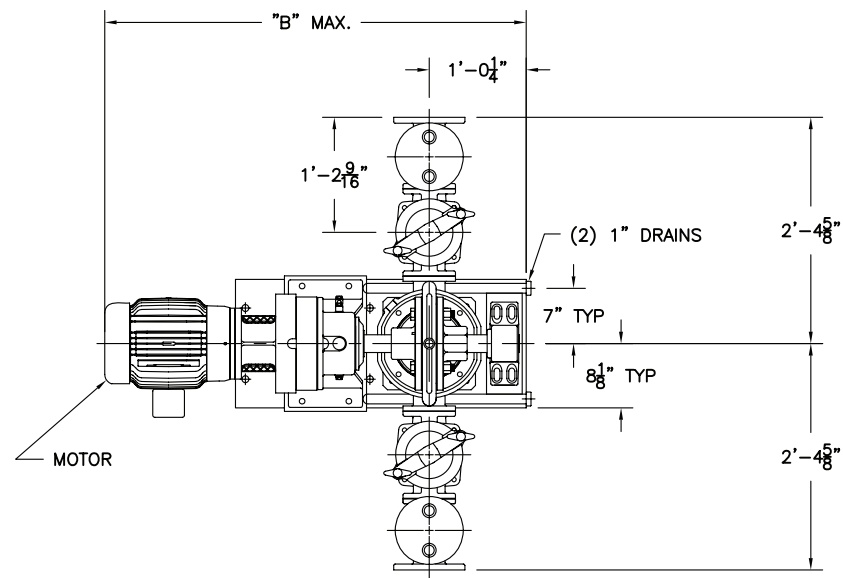
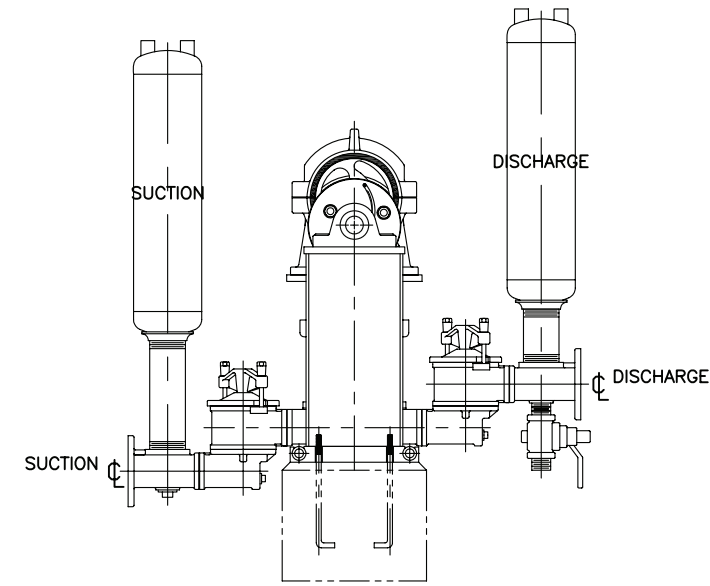


NOTES:

- 1 - BASIC PUMP SHOWN - SEE CERTIFIED SPECIFICATIONS FOR DESCRIPTION OF COMPONENTS, MATERIALS OF CONSTRUCTION AND OPTIONAL ACCESSORIES FURNISHED BUT NOT SHOWN.
- 2 - SUPPORTS FOR SUCTION AND DISCHARGE PIPING NOT BY KSEC. DO NOT HANG PIPING FROM PUMP.
- 3 - SUCTION AND DISCHARGE CONNECTIONS: 4" - 125 LB. STD. A.S.A. DRILLING.
- 4 - CONCRETE FOUNDATION NOT BY KSEC.
- 5 - ANCHOR BOLTS NOT BY KSEC UNLESS NOTED ON SPECIFICATION SHEET.
- 6 - NOT FOR CONSTRUCTION PURPOSES UNLESS CERTIFIED BY KSEC.



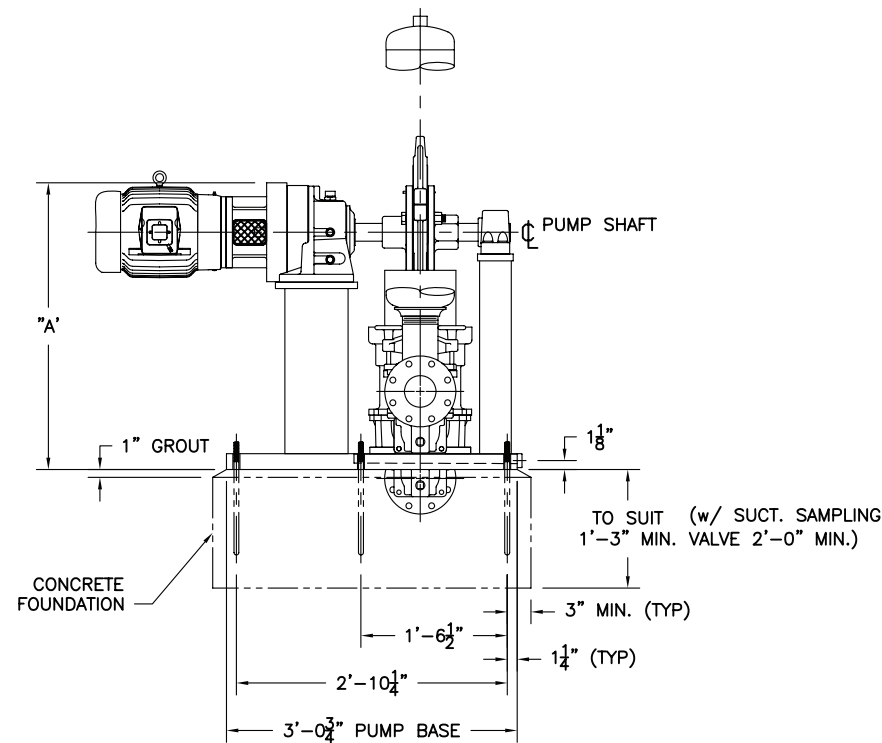
PLAN



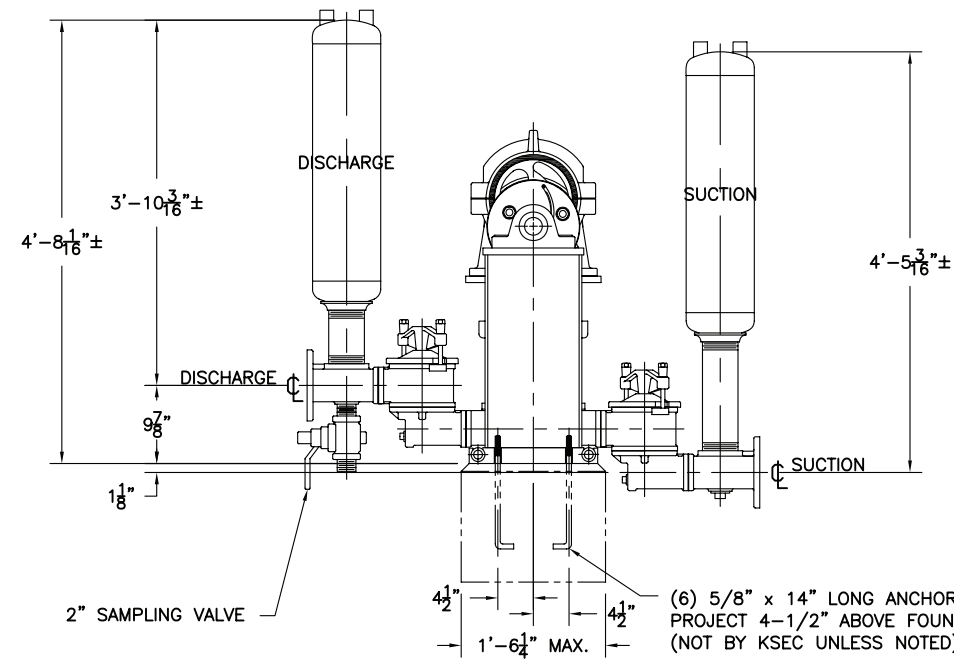
FRONT ELEVATION
LEFT HAND PUMP

DIMENSIONS				
HP	TYPE	FRAME	A	B*
2	TEFC	145TC	3' 0-1/4"	3' 10-3/4"
3		182TC	3' 0-1/4"	4' 1-15/16"
5		184TC	3' 0-1/4"	4' 1-15/16"
7-1/2		213TC	3' 0-1/4"	4' 5-5/16"
10		215TC	3' 1-1/8"	4' 7-13/16"

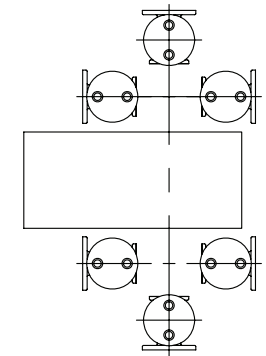
* EXACT DIMENSIONS ARE DEPENDENT UPON MAKE AND MODEL OF MOTOR TO BE SUPPLIED.



SIDE ELEVATION



FRONT ELEVATION
RIGHT HAND PUMP



ALTERNATE BALL VALVE & CONNECTION ARRANGEMENTS. VALVE CHAMBERS SHIPPED LOOSE FOR FIELD ASSEMBLY.

REV	DATE	BY	APP	DESCRIPTION
THIS DRAWING IS THE PROPRIETARY PROPERTY OF KOMLINE-SANDERSON ENGINEERING CORPORATION. IT IS LOANED IN CONFIDENCE AND MUST BE RETURNED ON DEMAND. ANY USE DETRIMENTAL TO THE INTERESTS OF KOMLINE-SANDERSON ENGINEERING CORPORATION IS PROHIBITED. IT MUST NOT BE LOANED, COPIED OR REPRODUCED WITHOUT PERMISSION.				
TITLE: PLUNGER PUMP ASSEMBLY KS-9 or 11-1, SINGLE VALVE CONSTANT SPEED				
DESIGNED BY	DRAWN BY	CHECKED BY	APPROVED BY	
JWD	JWD	JWD		
DATE	KOMLINE-SANDERSON ENGINEERING CORPORATION PEAPACK, NJ 07977 USA			REFERENCE:
19-JAN-09				DRAWING NO.
SCALE	1=12			REV
				1
				OF
				1